



BEACONS



400 Series Static Flash LED Beacons - Airport

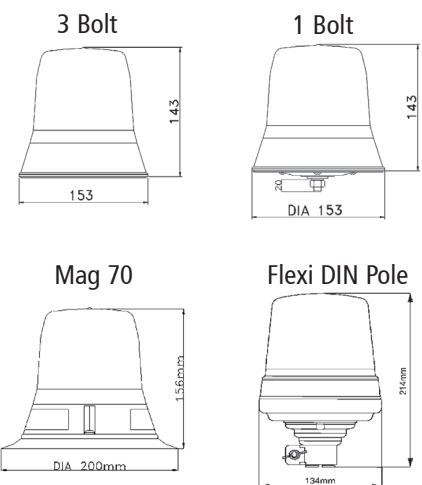


The 400 Series static flash LED beacons conforms to CAP 168 and ICAO regulations. They have a tough housing design to maximise resilience to excessive vibration and increase the life of the product. This range is available in 4 different mounting options, 3 bolt, 1 bolt, flexi DIN and mag 70. These beacons are recommended for airport use.

Models

PART NO.	VOLTAGE	MOUNT	REGULATION
V11050.168	12-24	3 Bolt	CAP 168
V11052.168	12-24	1 Bolt	CAP 168
V11054.168	12-24	Mag 70	CAP 168
V11055.168	12-24	Flexi DIN Pole	CAP 168
V11050-ICAO	12-24	3 Bolt	ICAO
V11052-ICAO	12-24	1 Bolt	ICAO
V11053-ICAO	12-24	Mag 50	ICAO
V11055-ICAO	12-24	Flexi DIN-Pole	ICAO

Dimensions



Features and Benefits

- 400 Series Low Profile Lens
- Operating Temperatures: -20°C to +50°C
- Conforms to CAP 168 and ICAO regulations
- Dual Voltage 12-24V